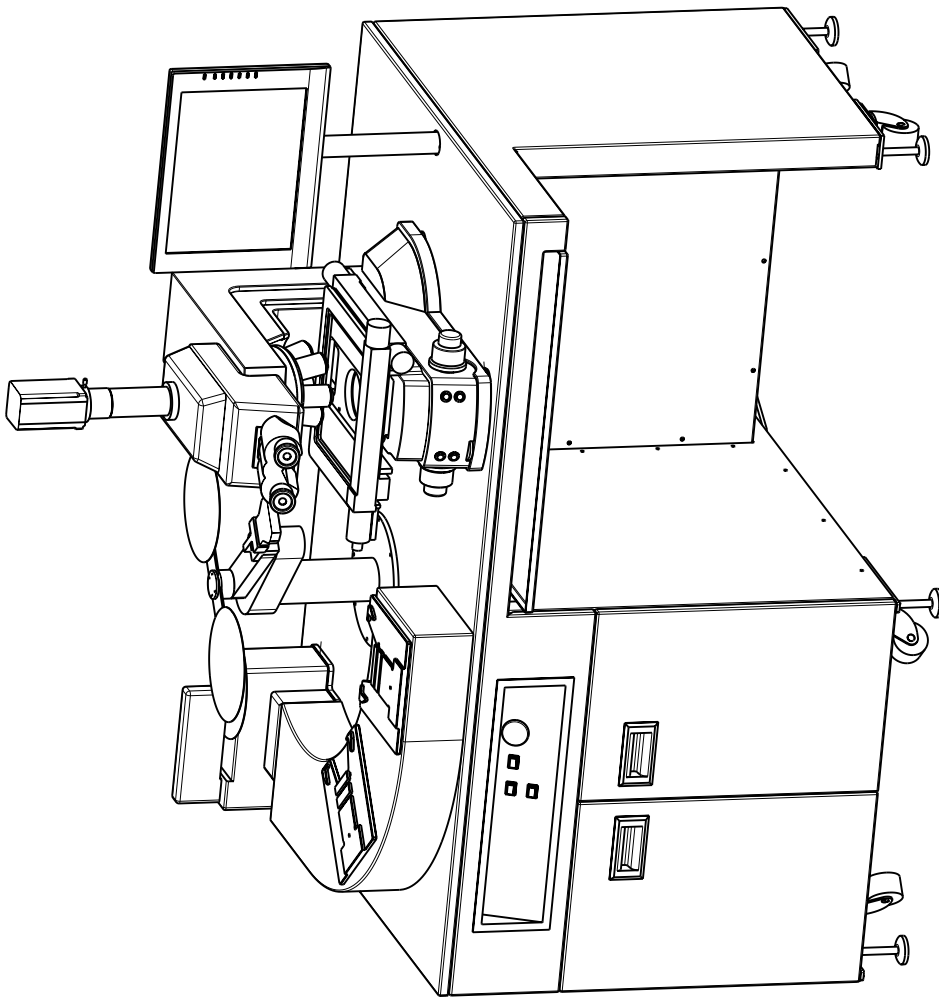


NOTES:

1.) HIDDEN LINES NOT SHOWN UNLESS NOTED PER SHEET.



REVISIONS

DESCRIPTION

DATE

APPD

INITIAL RELEASE

OCT. 19, 2001

PAUL GRESS

TOLERANCES UNLESS OTHERWISE SPECIFIED

Decimals, 3 Place $\pm .005$
 Decimals, 2 Place $\pm .01$
 Decimals, 1 Place $\pm .1$
 Angles ± 1 Deg

TOLERANCES NOT ACCUMULATIVE
 DO NOT SCALE DRAWING

Rad Electronics Inc.
Rapid Application Design

IRIS INSPECTION STATION
 OUTLINE VIEWS

SCALE 0.075

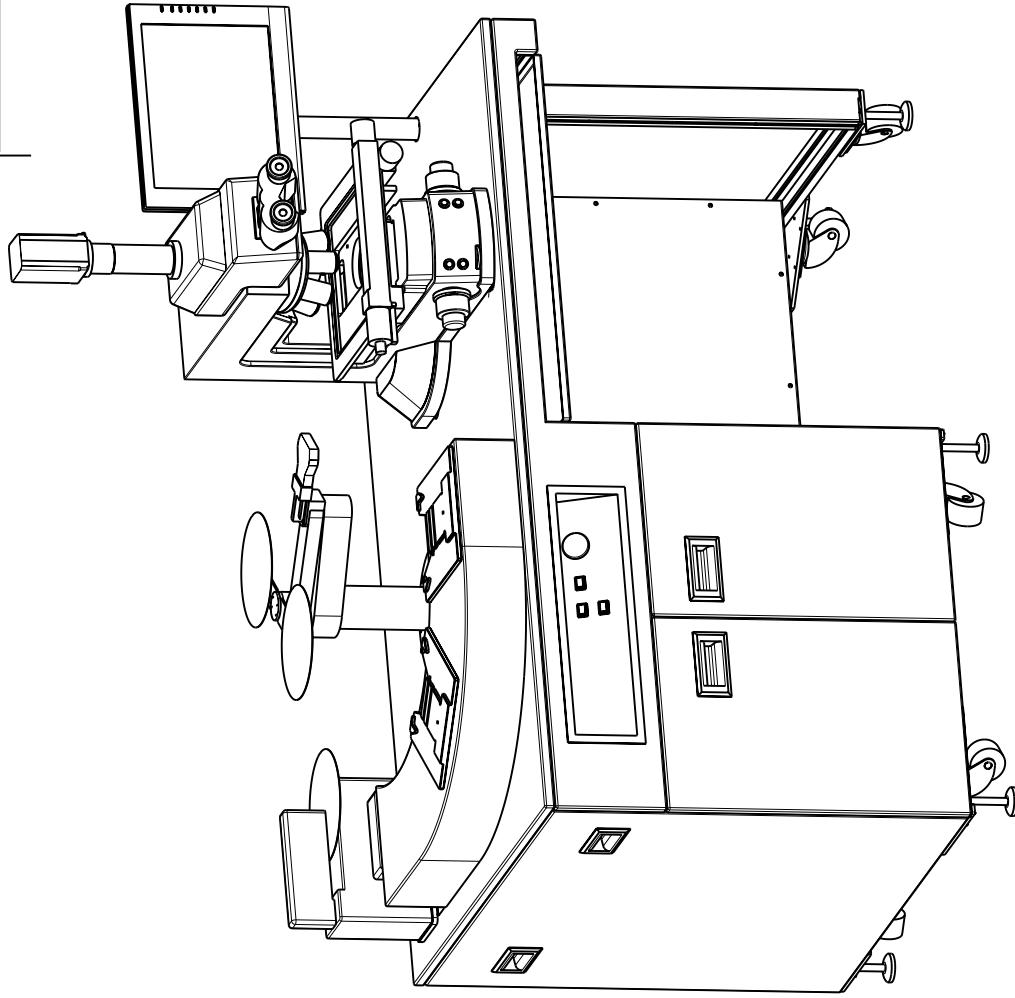
DWG NO.

1005238

REV

-

Sheet 1 of 7



REVISIONS

REV DESCRIPTION

DATE

APPD

SEE SHEET 1

TOLERANCES UNLESS OTHERWISE SPECIFIED

- Decimals, 3 Place $\pm .005$
- Decimals, 2 Place $\pm .01$
- Decimals, 1 Place $\pm .1$
- Angles ± 1 Deg

TOLERANCES NOT ACCUMULATIVE
DO NOT SCALE DRAWING

Rad Electronics Inc.
Rapid Application Design

IRIS INSPECTION STATION
OUTLINE VIEWS

SCALE 0.075

DWG NO.

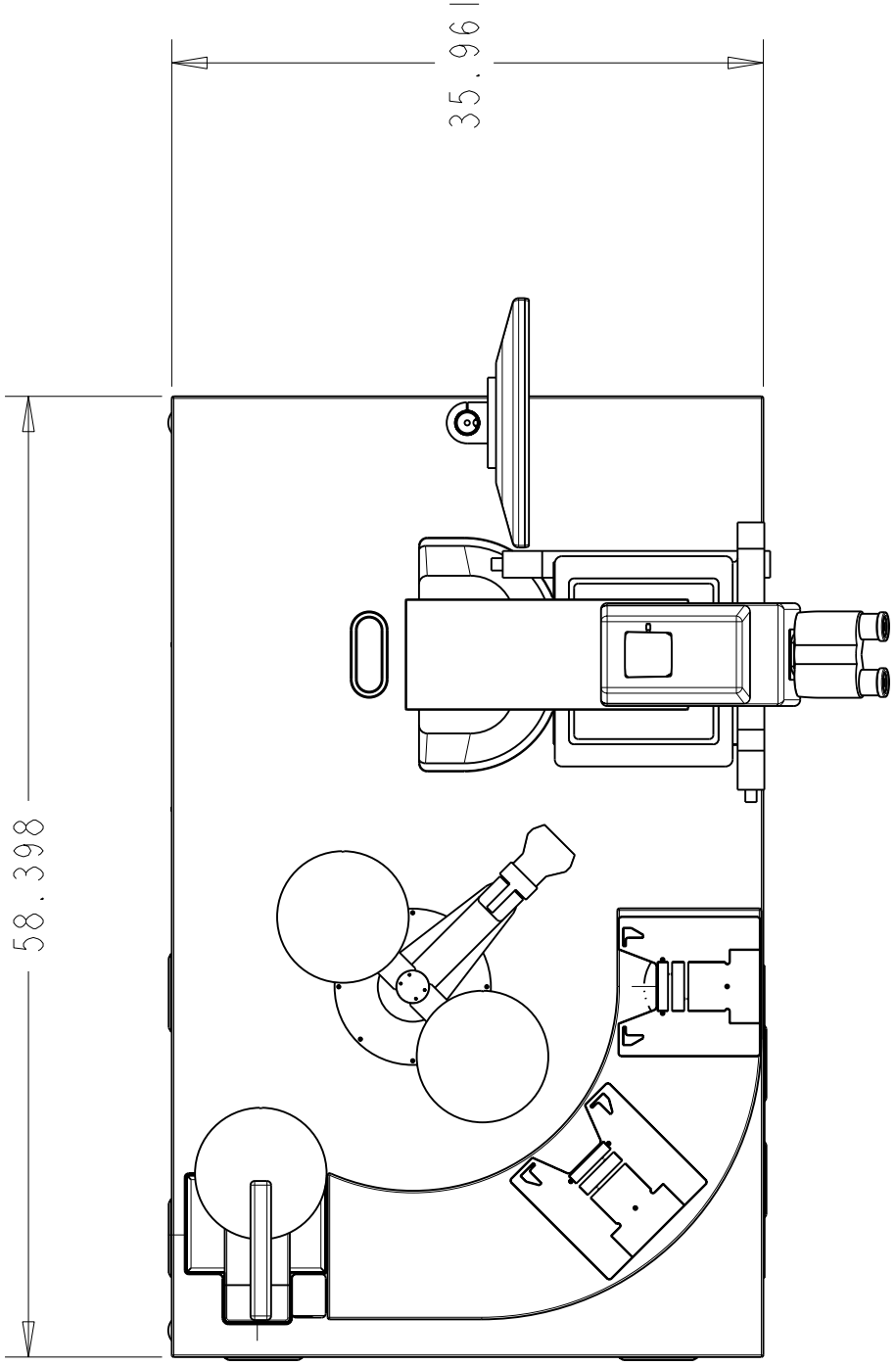
1005238

REV

-

Sheet 2 of 7

REVISIONS		
REV	DESCRIPTION	DATE
	SEE SHEET 1	
		APPD



Rad Electronics Inc.
Rapid Application Design

IRIS INSPECTION STATION
 OUTLINE VIEWS

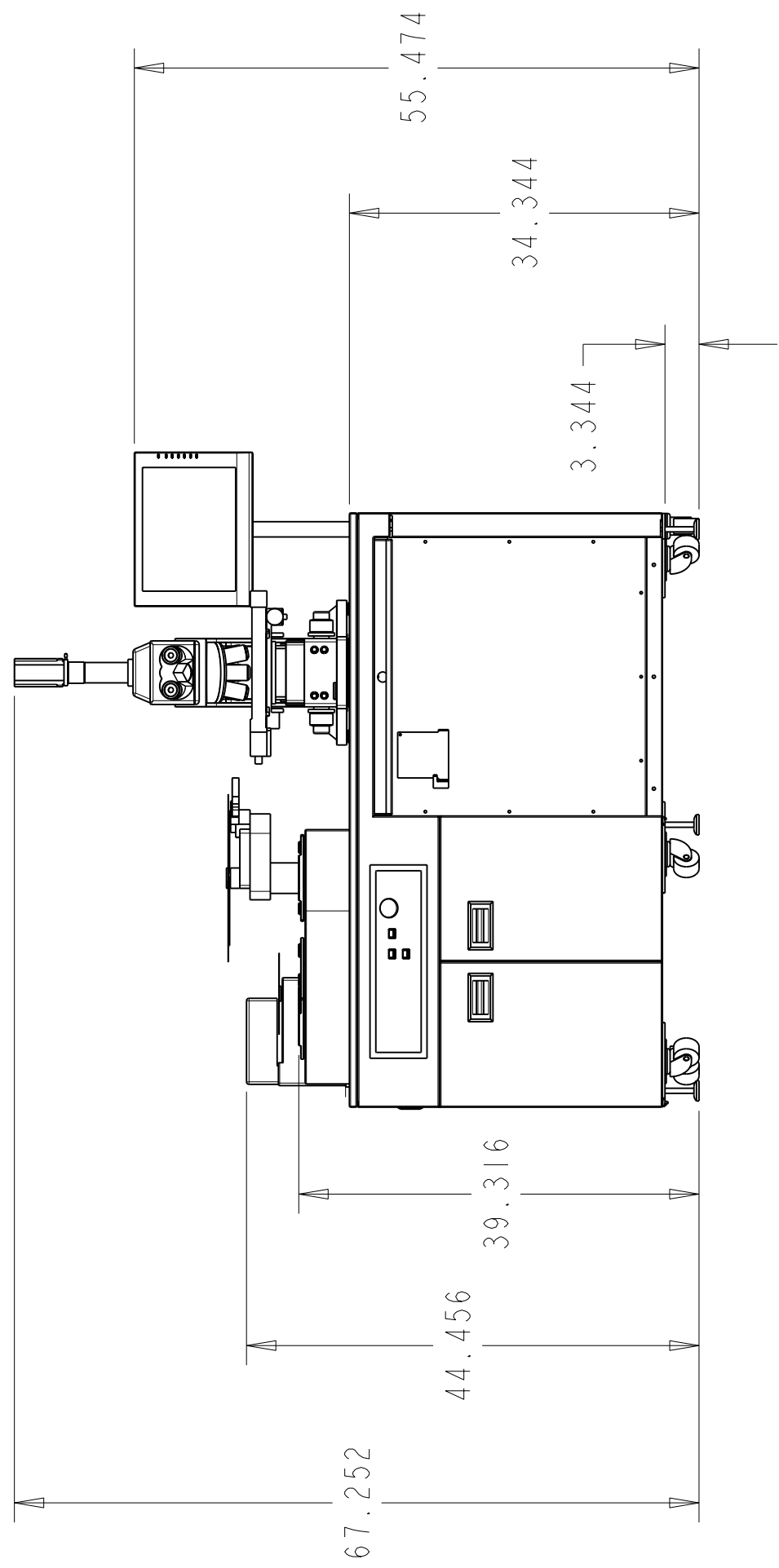
DWG NO. 1005238
 REV -

TOLERANCES UNLESS OTHERWISE SPECIFIED
 Decimals, 3 Place $\pm .005$
 Decimals, 2 Place $\pm .01$
 Decimals, 1 Place $\pm .1$
 Angles ± 1 Deg

TOLERANCES NOT ACCUMULATIVE
 DO NOT SCALE DRAWING

SCALE 0.087

REVISIONS		
REV	DESCRIPTION	DATE
	SEE SHEET 1	APPD



TOLERANCES UNLESS OTHERWISE SPECIFIED
 Decimals, 3 Place $\pm .005$
 Decimals, 2 Place $\pm .01$
 Decimals, 1 Place $\pm .1$
 Angles ± 1 Deg
 TOLERANCES NOT ACCUMULATIVE
 DO NOT SCALE DRAWING

Rad Electronics Inc.
Rapid Application Design

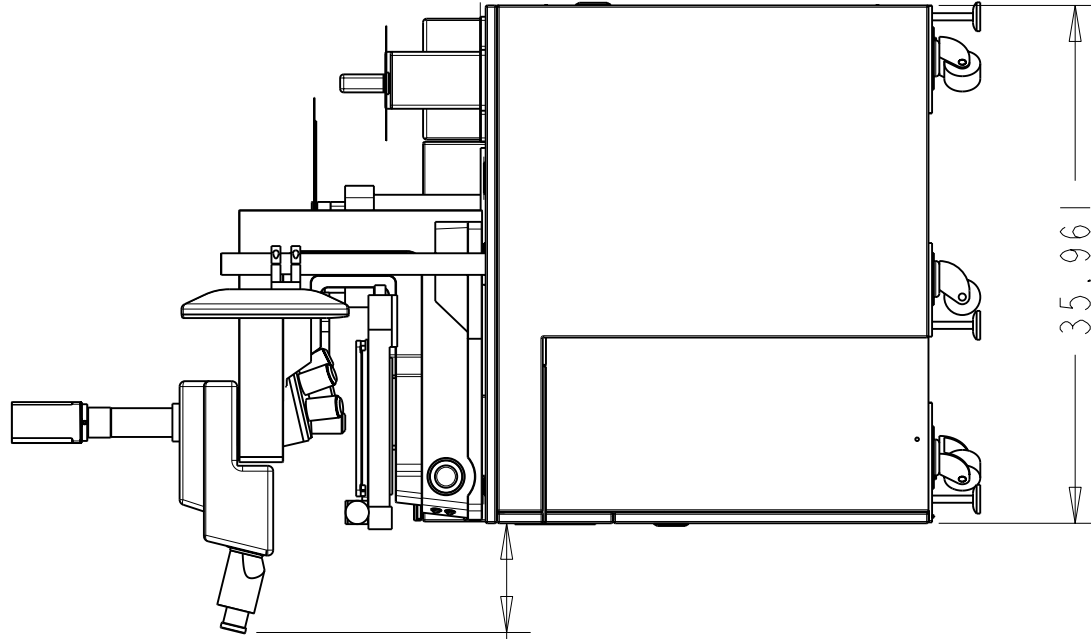
IRIS INSPECTION STATION
 OUTLINE VIEWS

SCALE 0.065

DWG NO. 1005238

REV -

Sheet 4 of 7



7.585

35.961

REVISIONS

REV

DESCRIPTION

DATE

APPD

SEE SHEET 1

TOLERANCES UNLESS OTHERWISE SPECIFIED

- Decimals, 3 Place $\pm .005$
- Decimals, 2 Place $\pm .01$
- Decimals, 1 Place $\pm .1$
- Angles ± 1 Deg

TOLERANCES NOT ACCUMULATIVE
DO NOT SCALE DRAWING

Rad Electronics Inc.
Rapid Application Design

IRIS INSPECTION STATION
OUTLINE VIEWS

SCALE 0.075

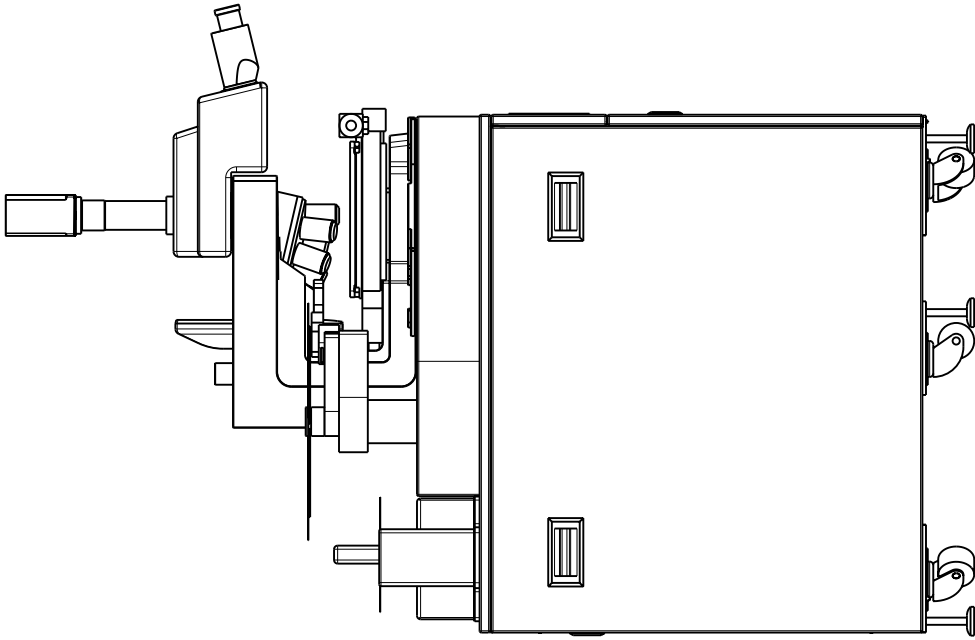
DWG NO.

1005238

REV

-

Sheet 5 of 7



REVISIONS

APPD

DATE

DESCRIPTION

SEE SHEET 1

REV

Rad Electronics Inc.
Rapid Application Design

IRIS INSPECTION STATION
 OUTLINE VIEWS

TOLERANCES UNLESS OTHERWISE SPECIFIED

- Decimals, 3 Place $\pm .005$
- Decimals, 2 Place $\pm .01$
- Decimals, 1 Place $\pm .1$
- Angles ± 1 Deg

TOLERANCES NOT ACCUMULATIVE
 DO NOT SCALE DRAWING

SCALE 0.075

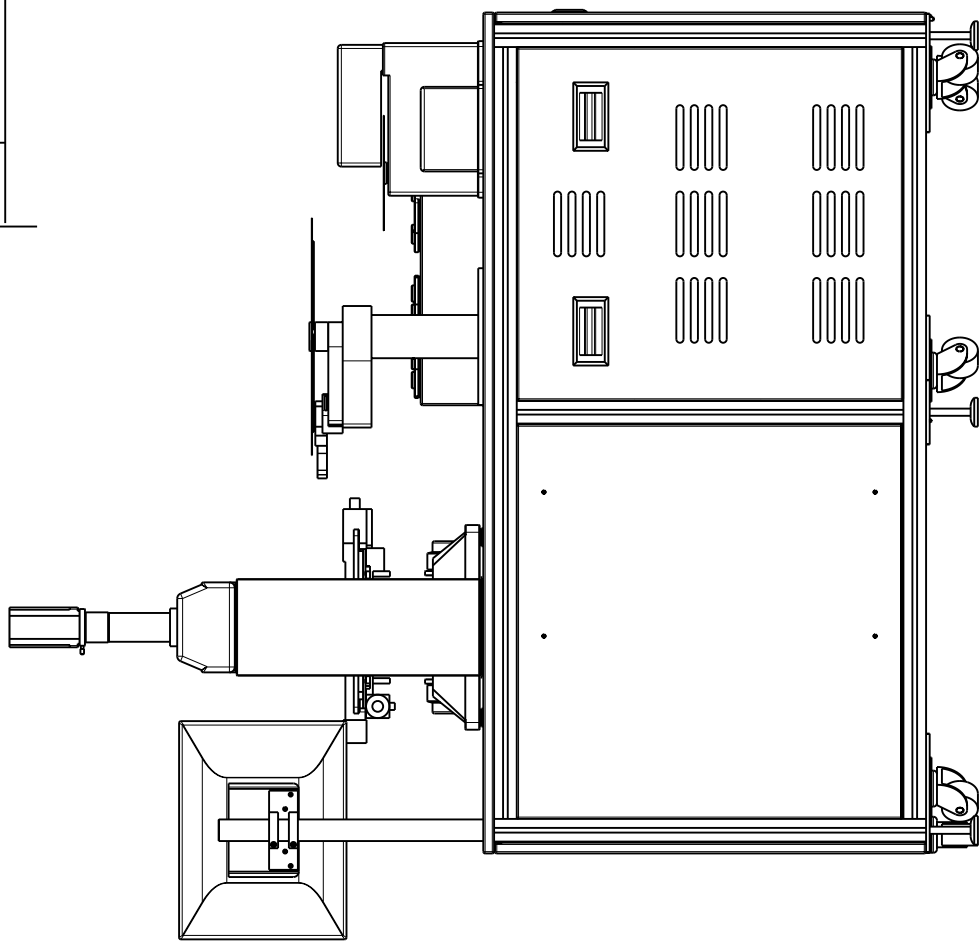
DWG NO.

1005238

REV

-

Sheet 6 of 7



REVISIONS

REV DESCRIPTION

DATE

APPD

SEE SHEET 1

TOLERANCES UNLESS OTHERWISE SPECIFIED
 Decimals, 3 Place $\pm .005$
 Decimals, 2 Place $\pm .01$
 Decimals, 1 Place $\pm .1$
 Angles ± 1 Deg
 TOLERANCES NOT ACCUMULATIVE
 DO NOT SCALE DRAWING

Rad Electronics Inc.
Rapid Application Design

IRIS INSPECTION STATION
 OUTLINE VIEWS

SCALE 0.075

DWG NO. 1005238

REV -
 Sheet 7 of 7